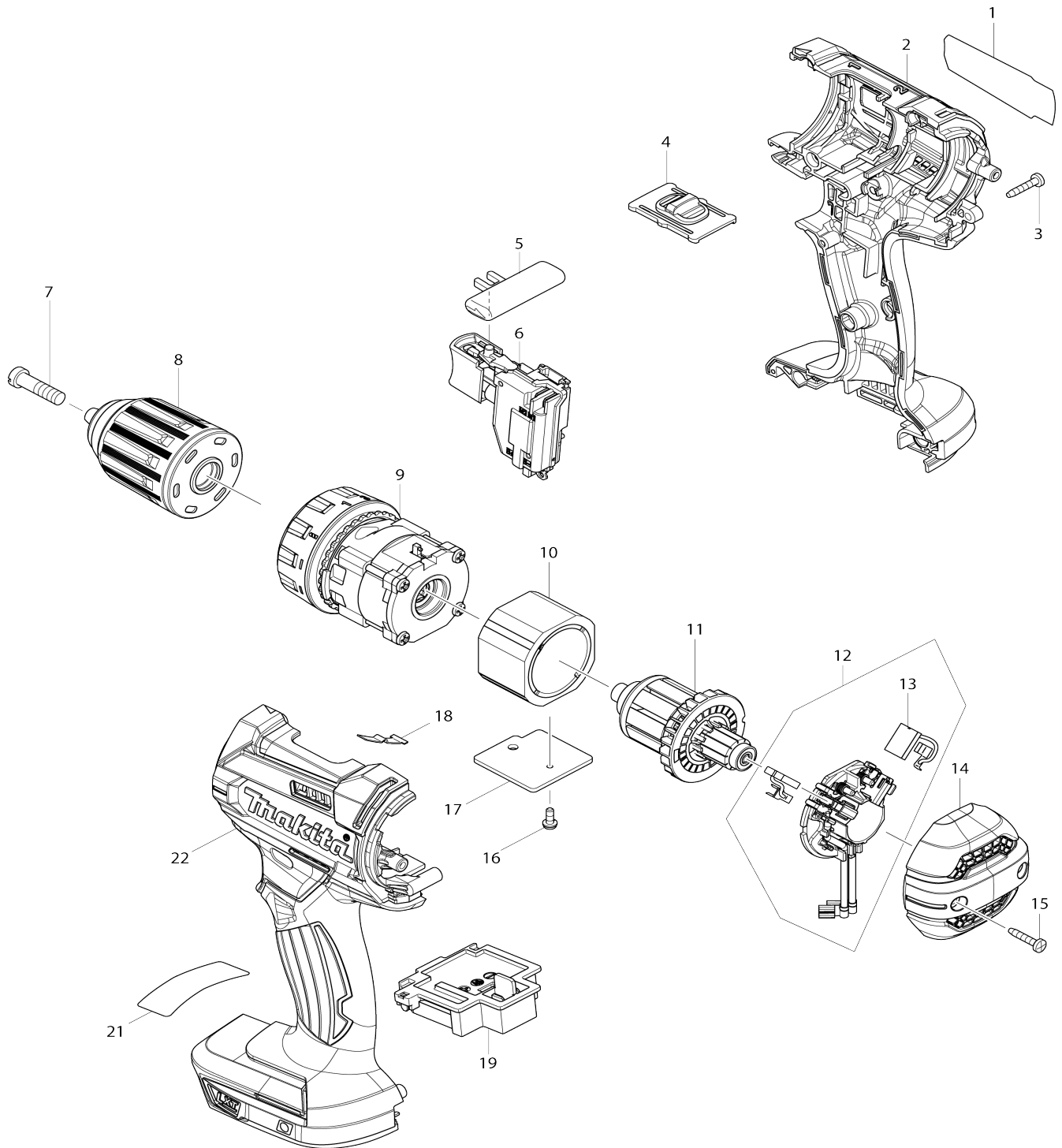


# Model No.DDF482 CORDLESS DRIVER DRILL



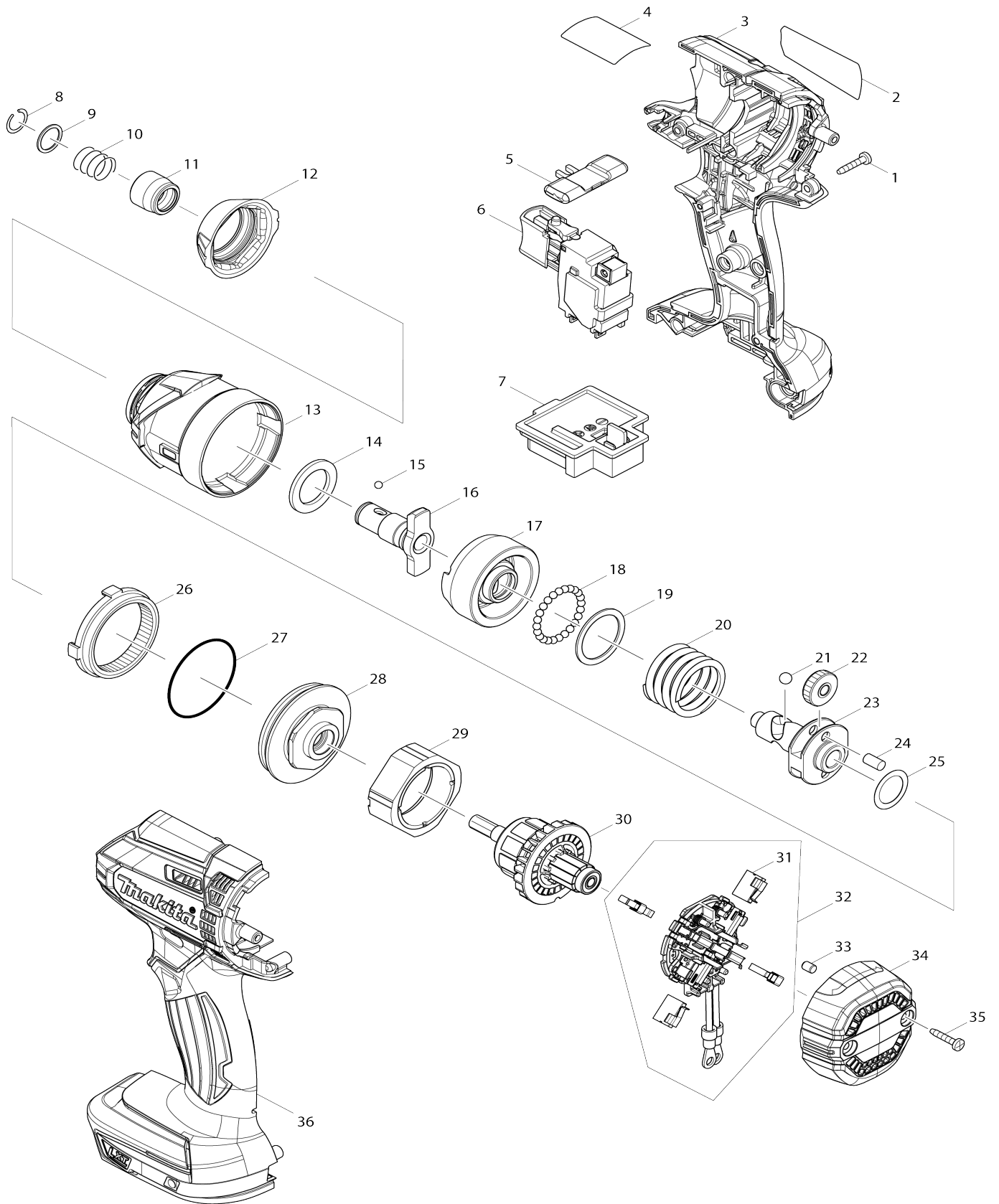
# Model No.DDF482 CORDLESS DRIVER DRILL

| Item No.   | Parts No. | Description                 |
|------------|-----------|-----------------------------|
| 001        | 851E35-2  | DDF482 NAME PLATE           |
| 002        | 183B65-0  | HOUSING SET                 |
| C10        | 263005-3  | RUBBER PIN 6                |
| 002        |           | INC. 22                     |
| 002L       | 183G75-7  | HOUSING SET                 |
| C10        | 263005-3  | RUBBER PIN 6                |
| 002L       |           | INC. 22                     |
| 003        | 266429-2  | TAPPING SCREW 3X16          |
| 003-1      | 266130-9  | TAPPING SCREW BIND PT 3X16  |
| 003-1<br>L | 266130-9  | TAPPING SCREW BIND PT 3X16  |
| 004        | 123442-2  | SPEED CHANGE LEVER ASSEMBLY |
| C10        | 233438-6  | COMPRESSION SPRING 4        |
| 005        | 419041-9  | F/R CHANGE LEVER            |
| 006        | 632F27-4  | SWITCH UNIT                 |
| C10        | 620444-4  | LED CIRCUIT                 |
| C21        | 688172-7  | LINE FILTER                 |
| 007        | 251468-5  | - FLAT HEAD SCREW M6X22     |
| 008        | 766027-7  | KEYLESS DRILL CHUCK 13      |
| 009        | 123444-8  | GEAR ASSEMBLY               |
| 009-1      | 127323-2  | GEAR ASSEMBLY               |
| 009-2      | 127511-1  | GEAR ASSEMBLY               |
| 009-2<br>L | 127511-1  | GEAR ASSEMBLY               |
| 010        | 632F32-1  | YOKE UNIT                   |
| 010-1      | 632J70-7  | YOKE UNIT                   |
| 010-1      | 632J70-7  | YOKE UNIT                   |
| 011        | 619380-9  | ARMATURE                    |
| 011-1      | 619583-5  | ARMATURE                    |
| 011-1<br>L | 619583-5  | ARMATURE                    |
| 012        | 632F21-6  | BRUSH HOLDER COMPLETE       |
| C11        | 688172-7  | LINE FILTER                 |
| 012        |           | INC. 13                     |
| 013        | 194427-5  | CARBON BRUSH SET CB-440     |
| 013-1      | 195021-6  | CARBON BRUSH SET CB-440     |
| 013-1<br>L | 195021-6  | CARBON BRUSH SET CB-440     |
| 014        | 456099-7  | REAR COVER                  |
| 014L       | 457927-9  | REAR COVER                  |
| 015        | 266429-2  | TAPPING SCREW 3X16          |
| 015-1      | 266130-9  | TAPPING SCREW BIND PT 3X16  |
| 015-1<br>L | 266130-9  | TAPPING SCREW BIND PT 3X16  |
| 016        | 911006-2  | PAN HEAD SCREW M3X8         |
| 016-1      | 652066-2  | +PAN HEAD SCREW M3X9 WITH W |
| 016-1      | 652066-2  | +PAN HEAD SCREW M3X9 WITH W |

|            |           |                                    |
|------------|-----------|------------------------------------|
| 017        | 689070-8  | HEAT SINK                          |
| 017-1      | 689262-9  | HEAT SINK                          |
| 017-1<br>L | 689262-9  | HEAT SINK                          |
| 018        | 232182-2  | LEAF SPRING                        |
| 019        | 644808-8  | TERMINAL                           |
| 022        | 183B65-0  | HOUSING SET                        |
| C10        | 263005-3  | RUBBER PIN 6                       |
| 022        |           | INC. 2                             |
| 022L       | 183G75-7  | HOUSING SET                        |
| C10        | 263005-3  | RUBBER PIN 6                       |
| 022L       |           | INC. 2                             |
| A01        | 251314-2  | + TRUSS HEAD SCREW M4X12           |
| A02        | 346317-0  | HOOK                               |
| A02E       | 346449-3  | HOOK                               |
| A03        | 784637-8  | + - BIT 2-45                       |
| A04        | 821550-0  | CONNECTOR PLASTIC CASE (TYP<br>E2) |
| C10        | 453974-8  | LATCH                              |
| A04        | 141856-3  | PLASTIC CARRYING CASE COMPL<br>ETE |
| C10        | 162302-3  | LATCH                              |
| C20        | 324207-7  | SHAFT                              |
| C30        | 451749-9  | HANDLE                             |
| A04L       | 141331-9  | PLASTIC CASE COMPLETE              |
| C10        | 324667-3  | SHAFT                              |
| C20        | 417724-5  | LATCH                              |
| C30        | 419216-0  | HANDLE                             |
| C40        | 450830-3  | PLASTIC CASE LID                   |
| C50        | 451028-5  | PLATE                              |
| A05        | 450128-8  | BATTERY COVER                      |
| A06        | ***DC18RC | DC18RC FAST CHARGER                |
| A07D       | 197265-4  | BATTERY BL1840B SET                |
| A07E       | 197254-9  | BATTERY BL1820B SET                |
| A07K       | 197280-8  | BATTERY BL1850B SET                |
| A07-1<br>D | 197265-4  | BATTERY BL1840B SET                |
| A07-1<br>E | 197254-9  | BATTERY BL1820B SET                |
| A07-1<br>G | 197265-4  | BATTERY BL1840B SET                |
| A07-1      | 197600-6  | BATTERY BL1830B SET                |
| A07-1<br>K | 197280-8  | BATTERY BL1850B SET                |
| A07-2<br>G | 197265-4  | BATTERY BL1840B SET                |
| A07-2      | 197600-6  | BATTERY BL1830B SET                |
| A07-2<br>L | 197600-6  | BATTERY BL1830B SET                |
| A08        | 837916-4  | INNER TRAY                         |
| A08E       | 837863-9  | INNER TRAY                         |
| A08G       | 807S08-7  | DDF482RME PLASTIC CASE LABE<br>L   |
| A08H       | 808Y46-8  | DDF482RFE3 PLASTIC CASE LABE<br>L  |

|            |          |                               |
|------------|----------|-------------------------------|
| A08I       | 816F03-8 | DDF482RFE PLASTIC CASE LABEL  |
| A08-1<br>G | 816E97-7 | DDF482RME PLASTIC CASE LABEL  |
| A08-1<br>H | 816F05-4 | DDF482RFE3 PLASTIC CASE LABEL |
| A08-1J     | 817V67-1 | DDF482RF PLASTIC CASE LABEL   |
| A08-2<br>G | 816E98-5 | DDF482RME PLASTIC CASE LABEL  |
| A09D       | 808J25-6 | DDF482RMJ INDICATION LABEL    |
| A09E       | 808J27-2 | DDF482RAJ INDICATION LABEL    |
| A09-1<br>D | 816F10-1 | DDF482RMJ INDICATION LABEL    |
| A09-1<br>E | 816F12-7 | DDF482RAJ INDICATION LABEL    |
| A09-1<br>K | 816F27-4 | DDF482RT3J INDICATION LABEL   |
| A10D       | 808J26-4 | DDF482RMJ PLASTIC CASE LABEL  |
| A10E       | 808J28-0 | DDF482RAJ PLASTIC CASE LABEL  |
| A10-1<br>D | 816F11-9 | DDF482RMJ PLASTIC CASE LABEL  |
| A10-1<br>E | 816F13-5 | DDF482RAJ PLASTIC CASE LABEL  |
| A10-1<br>K | 816F28-2 | DDF482RT3J PLASTIC CASE LABEL |
| A10-2<br>E | 816F14-3 | DDF482RAJ PLASTIC CASE LABEL  |
| E02        | 654015-5 | EARTH TERMINAL                |
| E02L       | 654015-5 | EARTH TERMINAL                |
| E03        | 654501-6 | CONNECTOR P-1.25              |
| E03L       | 654501-6 | CONNECTOR P-1.25              |

# Model No.DTD152 CORDLESS IMPACT DRIVER



# Model No.DTD152 CORDLESS IMPACT DRIVER

| Item No. | Parts No. | Description                |
|----------|-----------|----------------------------|
| 001      | 266429-2  | TAPPING SCREW 3X16         |
| 001-1    | 266130-9  | TAPPING SCREW BIND PT 3X16 |
| 002      | 851E29-7  | DTD152 NAME PLATE          |
| 003      | 183B63-4  | HOUSING SET                |
| C10      | 263005-3  | RUBBER PIN 6               |
| 003      |           | INC. 36                    |
| 005      | 455053-8  | F/R CHANGE LEVER           |
| 006      | 632F26-6  | SWITCH UNIT                |
| C10      | 620445-2  | LED CIRCUIT                |
| C20      | 688164-6  | LINE FILTER                |
| 007      | 643852-2  | TERMINAL                   |
| 008      | 231951-8  | RING SPRING 11             |
| 009      | 267085-1  | FLAT WASHER 12             |
| 010      | 233005-7  | COMPRESSION SPRING 13      |
| 011      | 326072-0  | BIT SLEEVE                 |
| 012      | 424738-7  | BUMPER                     |
| 013      | 143299-5  | HAMMER CASE COMPLETE       |
| 014      | 261151-6  | NYLON WASHER 19            |
| 015      | 216040-0  | STEEL BALL 3.5             |
| 016      | 326565-7  | ANVIL M                    |
| 017      | 326564-9  | HAMMER                     |
| 018      | 216040-0  | STEEL BALL 3.5             |
| 019      | 267175-0  | FLAT WASHER 24             |
| 020      | 234251-5  | COMPRESSION SPRING 25      |
| 021      | 216041-8  | STEEL BALL 5.6             |
| 022      | 227362-3  | SPUR GEAR 22               |
| 023      | 326562-3  | SPINDLE                    |
| 024      | 256253-1  | PIN 5                      |
| 025      | 253314-8  | THIN WASHER 15             |
| 026      | 227378-8  | INTERNAL GEAR 51           |
| 027      | 213507-9  | O RING 40                  |
| 028      | 143298-7  | BEARING BOX COMPLETE       |
| 029      | 638396-5  | YOKE UNIT                  |
| 029-1    | 632F93-1  | YOKE UNIT                  |
| 030      | 619377-8  | ARMATURE                   |
| 031      | 196854-2  | CARBON BRUSH CB-448        |
| 031-1    | 196855-0  | CARBON BRUSH CB-448        |
| 032      | 632F25-8  | BRUSH HOLDER COMPLETE      |
| C10      | 688172-7  | LINE FILTER                |
| C11      | 688172-7  | LINE FILTER                |
| C20      | 654037-5  | INSULATED TERM. FT1.25-M3  |
| 032      |           | INC. 31                    |
| 033      | 263032-0  | RUBBER PIN 4               |
| 034      | 456044-2  | REAR COVER                 |
| 035      | 266429-2  | TAPPING SCREW 3X16         |
| 035-1    | 266130-9  | TAPPING SCREW BIND PT 3X16 |
| 036      | 183B63-4  | HOUSING SET                |
|          |           |                            |

|            |           |                                 |
|------------|-----------|---------------------------------|
| C10        | 263005-3  | RUBBER PIN 6                    |
| 036        |           | INC. 3                          |
| A01        | 346317-0  | HOOK                            |
| A01E       | 346449-3  | HOOK                            |
| A02        | 266622-8  | + TRUSS HEAD SCREW M4X12        |
| A03        | 821550-0  | CONNECTOR PLASTIC CASE (TYP E2) |
| C10        | 453974-8  | LATCH                           |
| A03        | 141856-3  | PLASTIC CARRYING CASE COMPLETE  |
| C10        | 162302-3  | LATCH                           |
| C20        | 324207-7  | SHAFT                           |
| C30        | 451749-9  | HANDLE                          |
| A04        | 450128-8  | BATTERY COVER                   |
| A05        | ***DC18RC | DC18RC FAST CHARGER             |
| A06D       | 197265-4  | BATTERY BL1840B SET             |
| A06E       | 197254-9  | BATTERY BL1820B SET             |
| A06-1<br>D | 197265-4  | BATTERY BL1840B SET             |
| A06-1<br>E | 197254-9  | BATTERY BL1820B SET             |
| A06-1<br>H | 197265-4  | BATTERY BL1840B SET             |
| A06-1      | 197600-6  | BATTERY BL1830B SET             |
| A06-2<br>H | 197265-4  | BATTERY BL1840B SET             |
| A06-2      | 197600-6  | BATTERY BL1830B SET             |
| A07D       | 837670-0  | INNER TRAY                      |
| A07E       | 837862-1  | INNER TRAY                      |
| A07H       | 807T12-2  | DTD152RME PLASTIC CASE LABEL    |
| A07I       | 812U65-4  | DTD152RFE3 PLASTIC CASE LABEL   |
| A07J       | 808W36-9  | DTD152RFE PLASTIC CASE LABEL    |
| A07-1<br>H | 816M79-7  | DTD152RME PLASTIC CASE LABEL    |
| A07-1<br>I | 816M89-4  | DTD152RFE3 PLASTIC CASE LABEL   |
| A07-1J     | 816M87-8  | DTD152RFE PLASTIC CASE LABEL    |
| A08D       | 808J38-7  | DTD152RMJ INDICATION LABEL      |
| A08E       | 808J40-0  | DTD152RAJ INDICATION LABEL      |
| A08-1<br>D | 816N02-8  | DTD152RMJ INDICATION LABEL      |
| A08-1<br>E | 816N00-2  | DTD152RAJ INDICATION LABEL      |
| A09D       | 808J39-5  | DTD152RMJ PLASTIC CASE LABEL    |
| A09E       | 808J41-8  | DTD152RAJ PLASTIC CASE LABEL    |
| A09-1<br>D | 816N03-6  | DTD152RMJ PLASTIC CASE LABEL    |
| A09-1<br>E | 816N01-0  | DTD152RAJ PLASTIC CASE LABEL    |
| E01        | 654015-5  | EARTH TERMINAL                  |
| E02        | 654501-6  | CONNECTOR P-1.25                |
| F02        | 194281-7  | STOPPER SET (W/BITS)            |
| F04        | 194649-7  | BATTERY PROTECTOR               |
| C10        | 251314-2  | + TRUSS HEAD SCREW M4X12        |

|     |          |                          |
|-----|----------|--------------------------|
| F05 | 194654-4 | HOOK SET                 |
| C10 | 251314-2 | + TRUSS HEAD SCREW M4X12 |
| C20 | 324705-1 | HOOK                     |